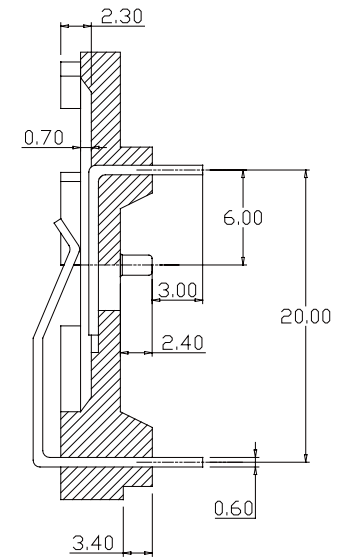
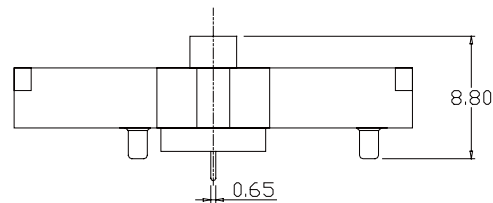
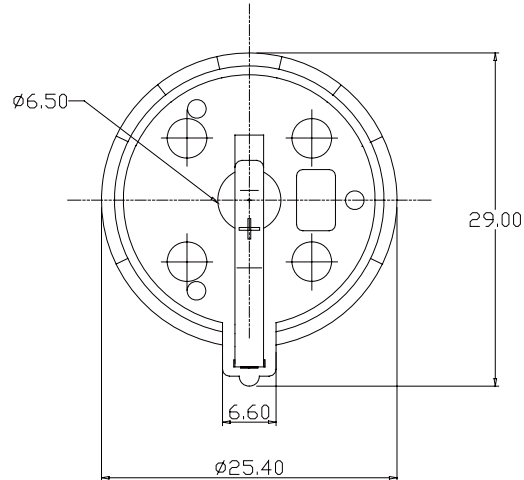
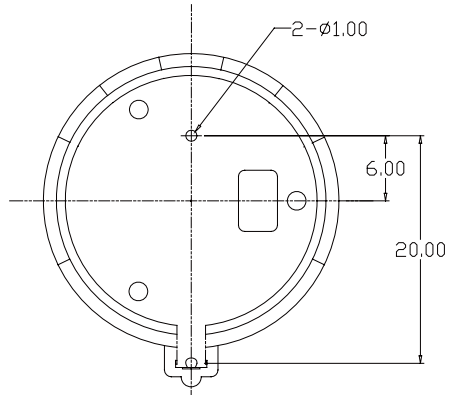


MATERIAL:

Insulator Material: P.B.T, UL 94V-0
 Contact Material: Copper alloy
 Finish: Tin plated
 For CR2325



Part No.: BTD-2325TB-L

APPRO	CHECK	DRAWN	PART NO.	Part No.:BTD-2325TB-L	DESCRIPTION	
			ITEM NO.			
			DRAW NO.			
			UNIT	mm SCALE no		
			TOLER	NO.		
					Tel: 0769 22020068 Fax: 0769 22020069 E-mail: sales@vigortec.com	